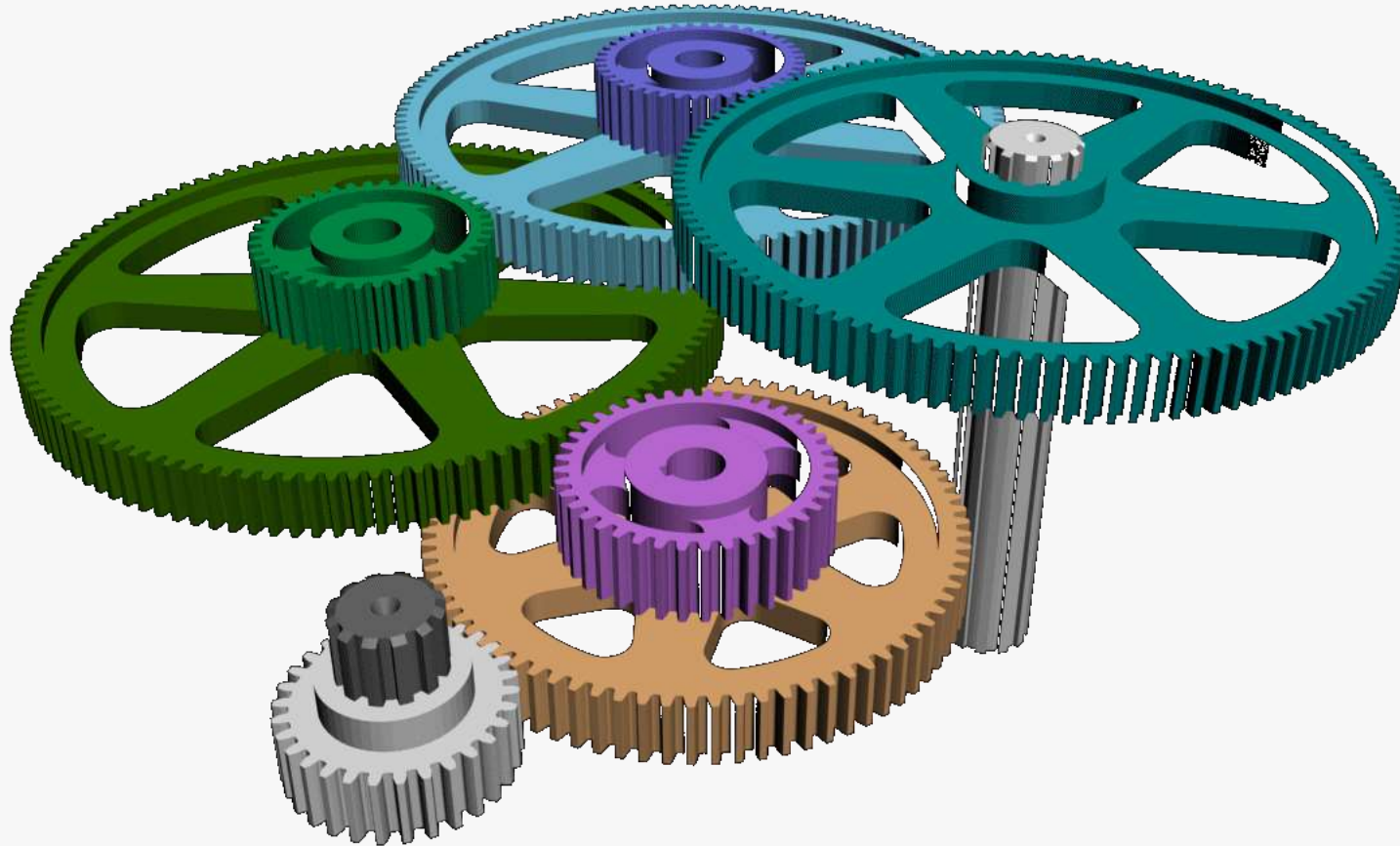


MOTION

Transmission & Transformation

## Motion Transmission:

- Motion is transmitted from one component to another.
- Type of motion does not change.

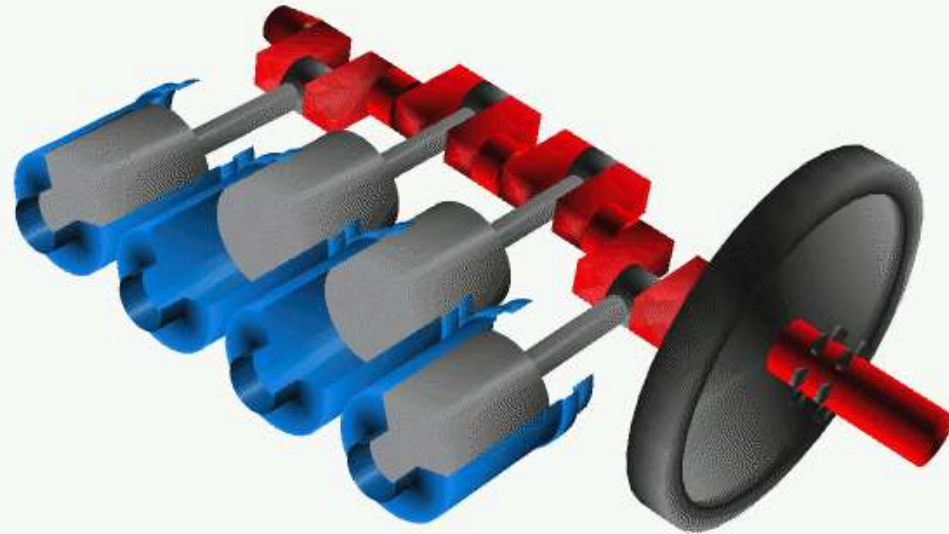


## Motion Transmission:

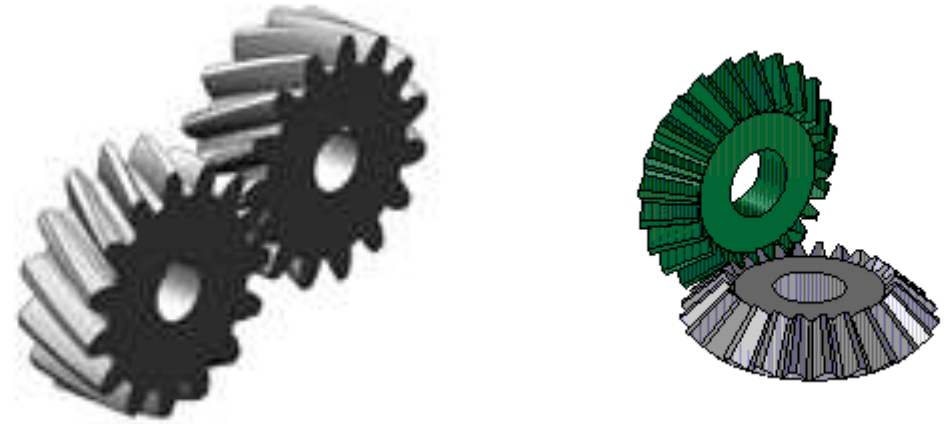
- Motion is transmitted from one component to another.
- Type of motion does not change.

## Motion Transformation:

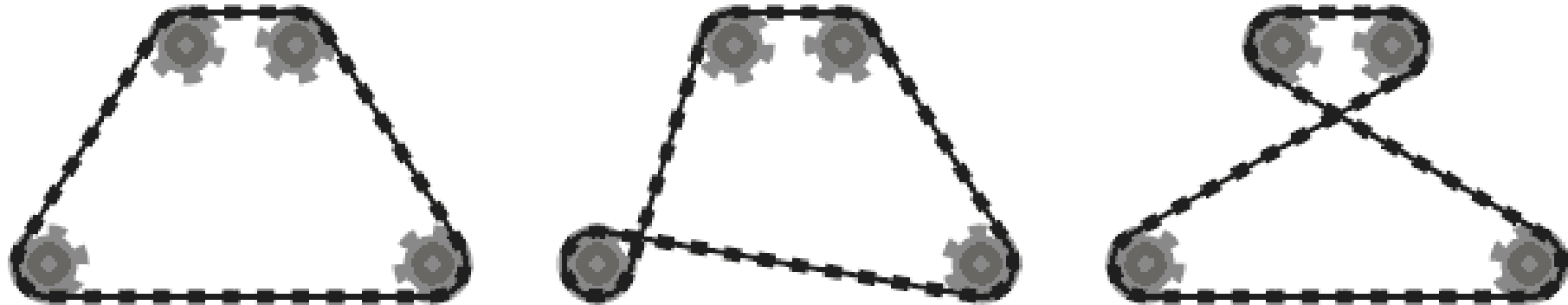
- Type of motion is changed from one component to another.



Components can be connected directly

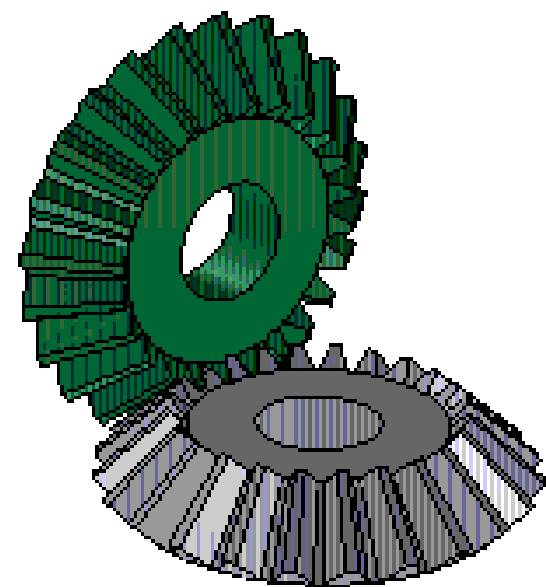
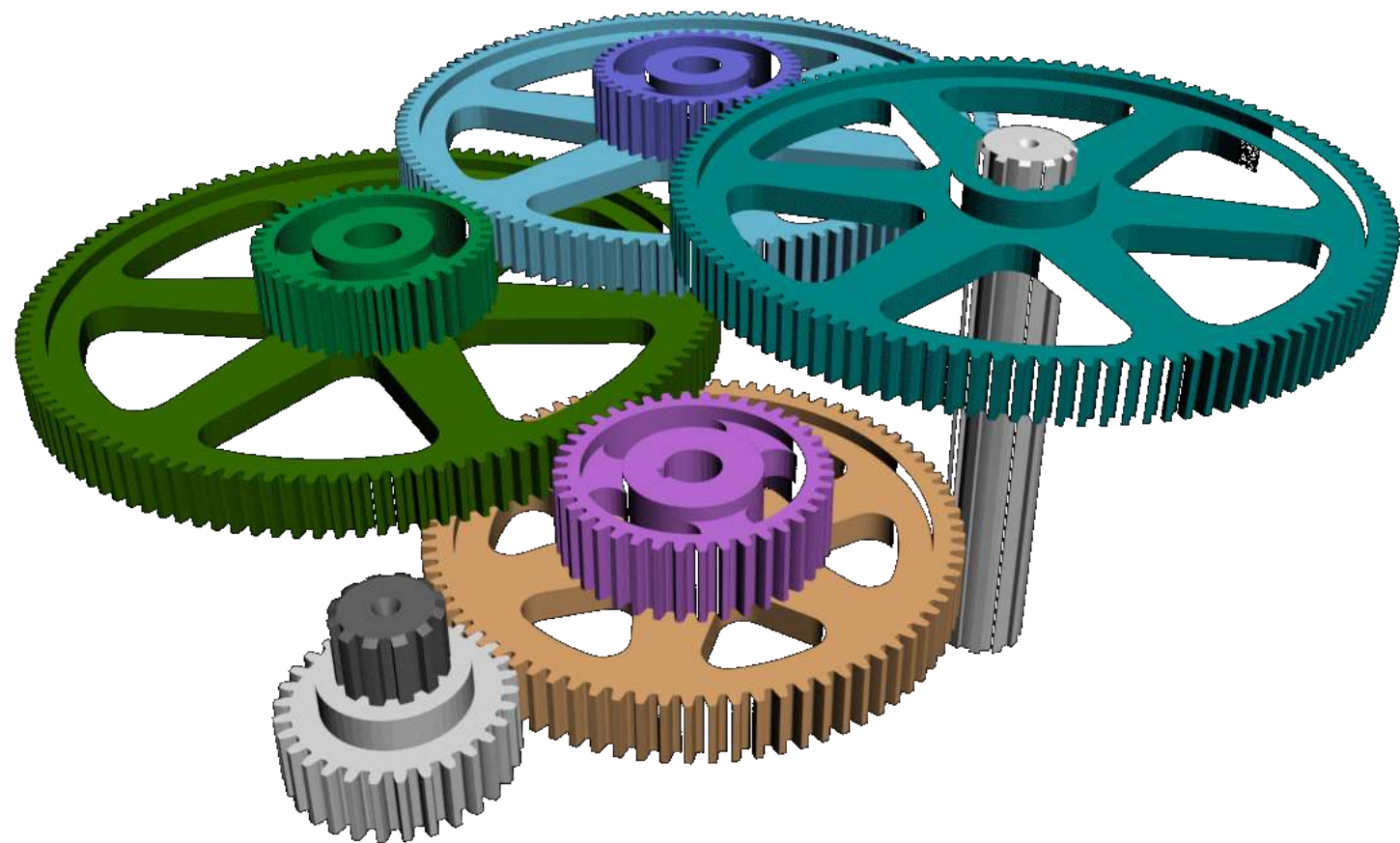


or through an intermediate component.



Motion Transmission Systems:

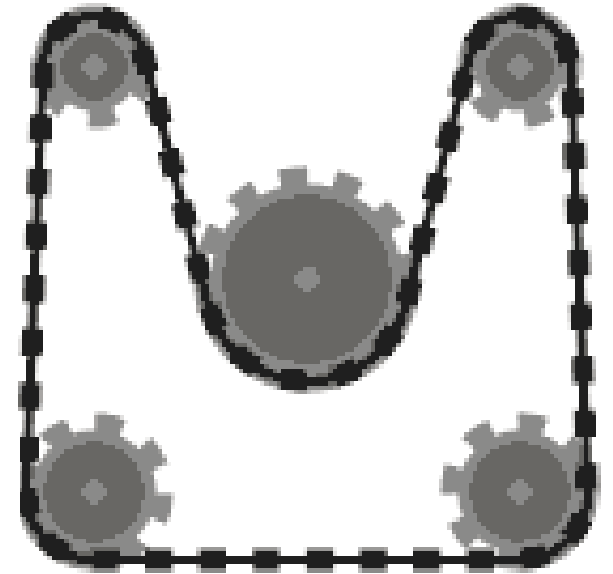
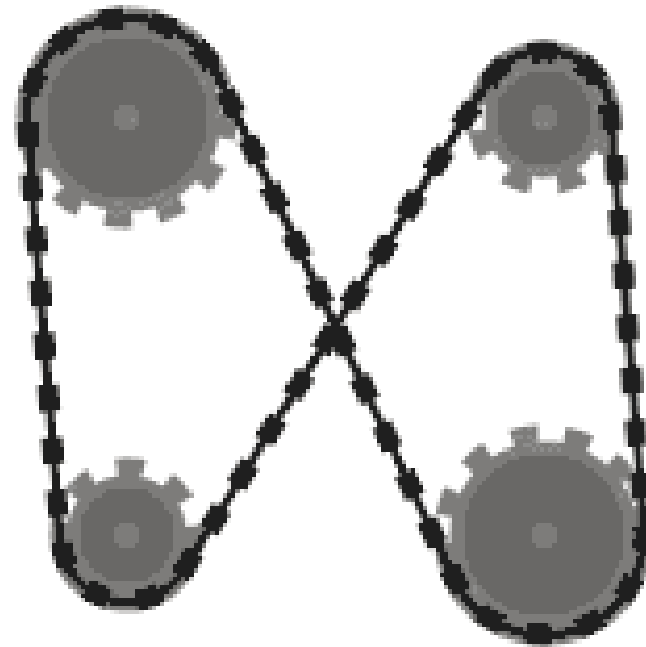
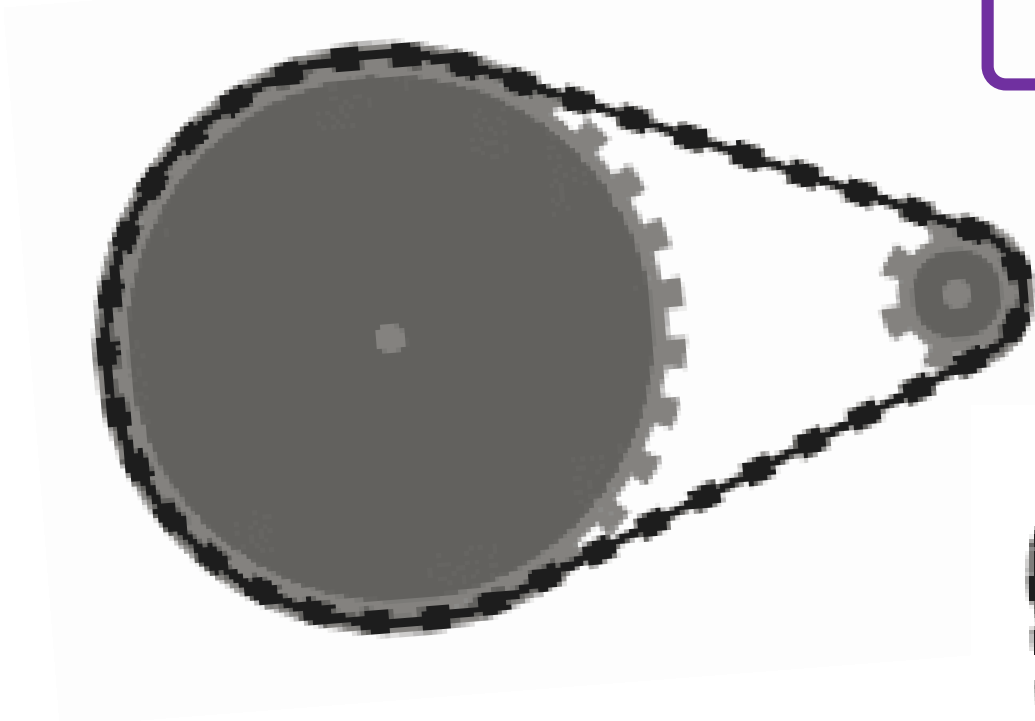
Gear Train



Motion Transmission Systems:

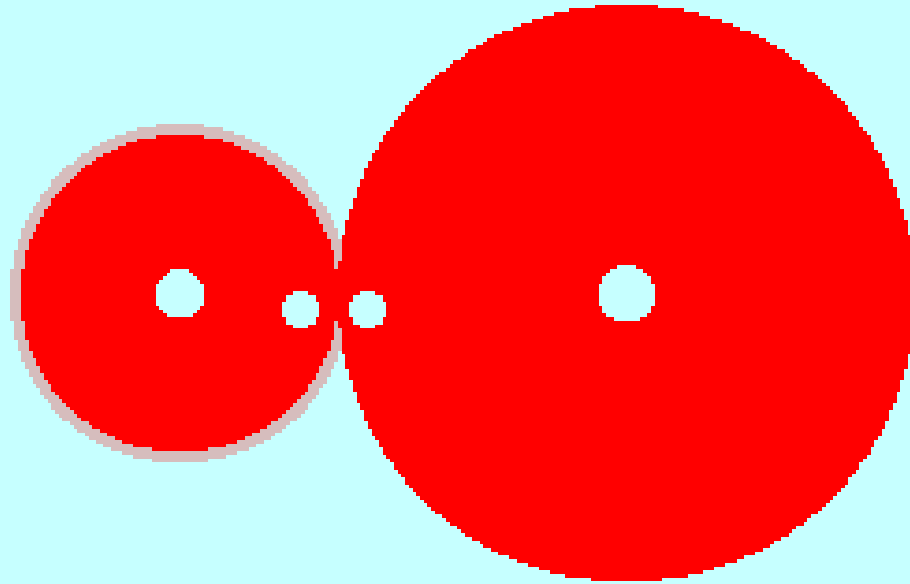
Chain Drive

Chain & Sprocket



Motion Transmission Systems:

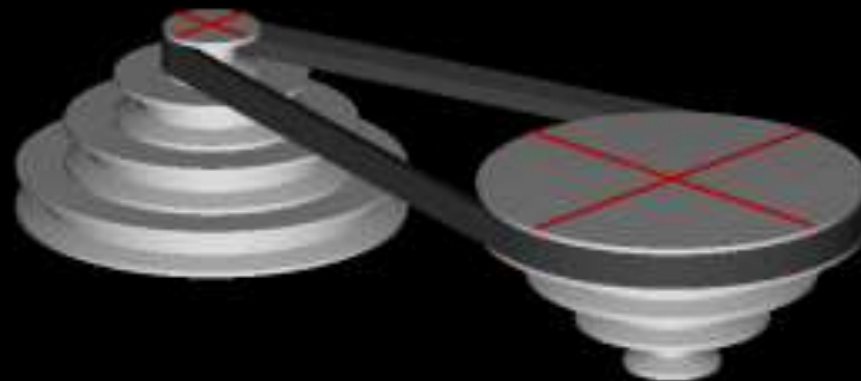
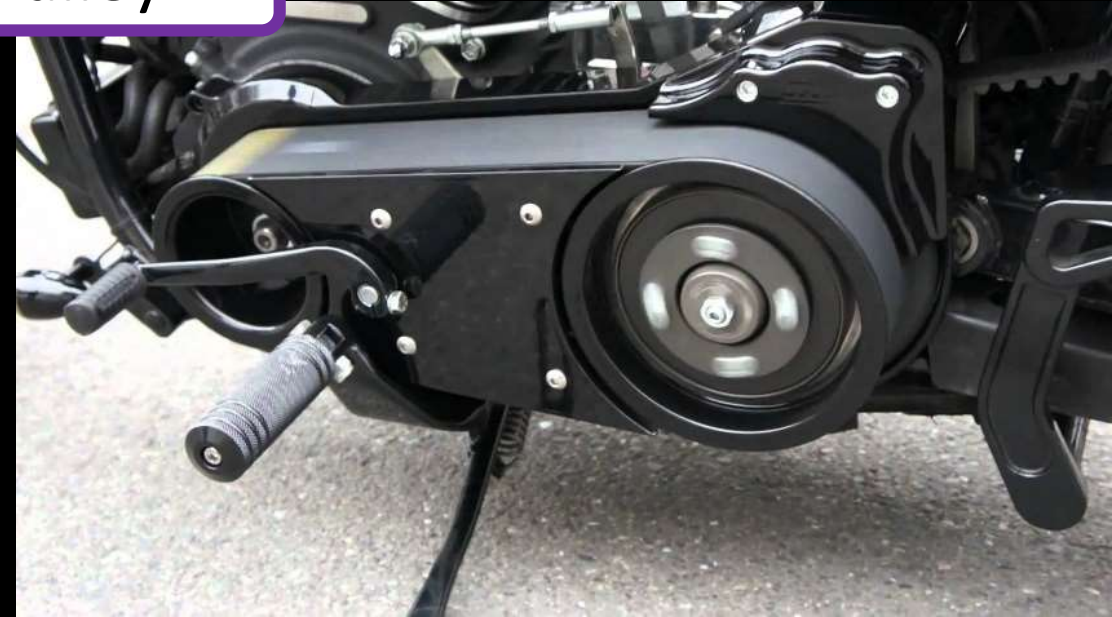
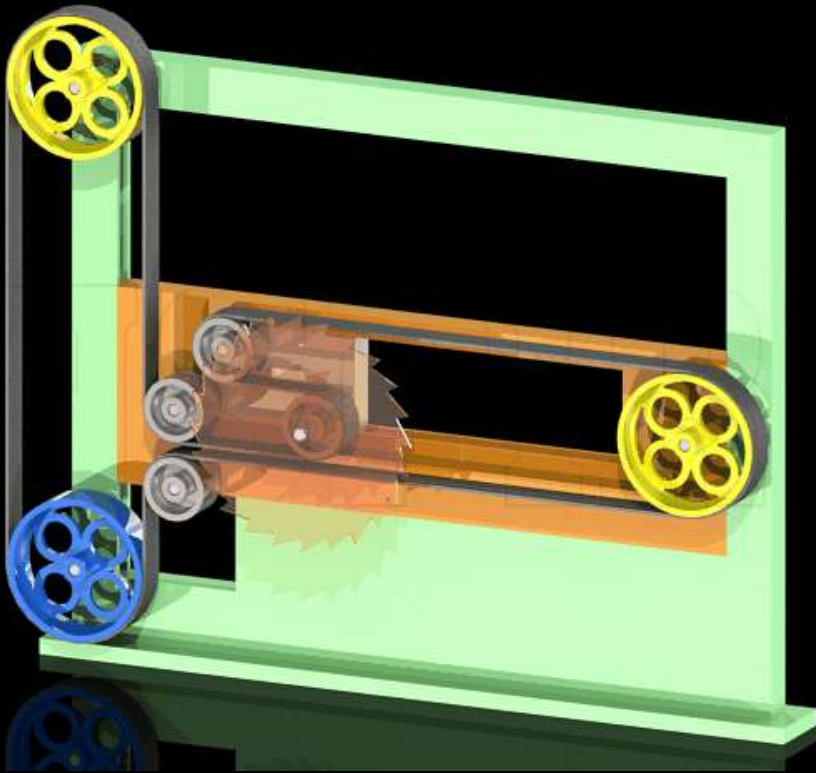
Friction Wheels



# Motion Transmission Systems:

Belt Drive

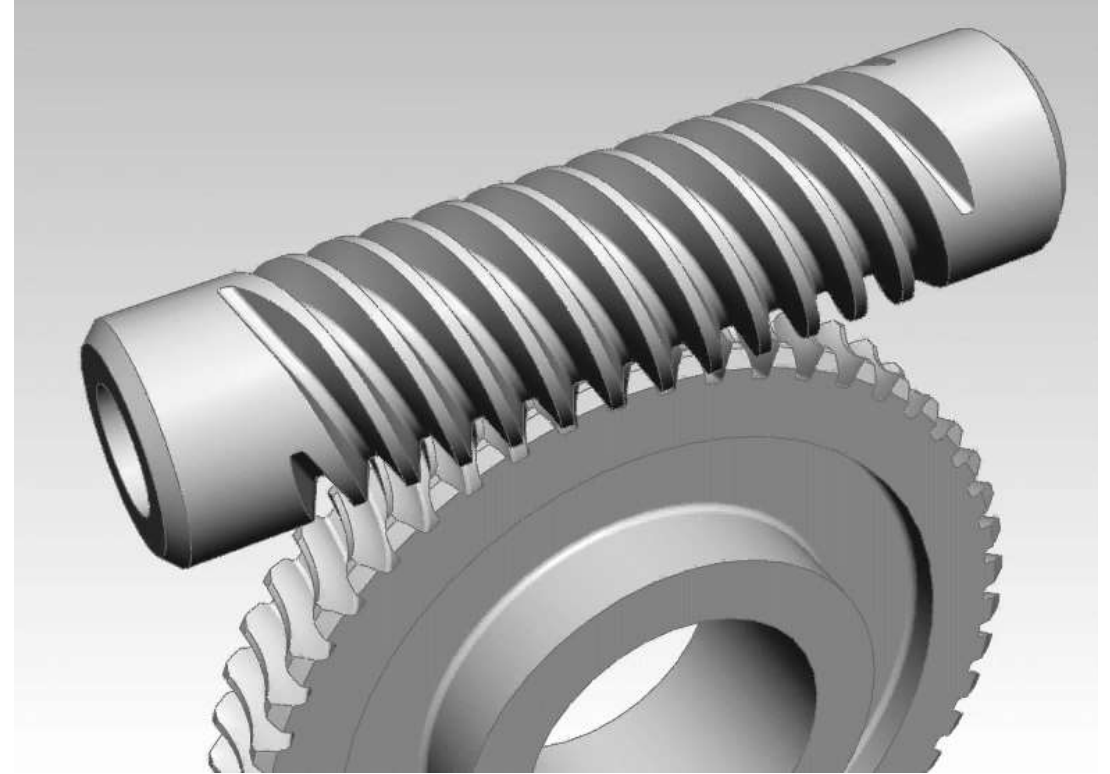
Belt & Pulley





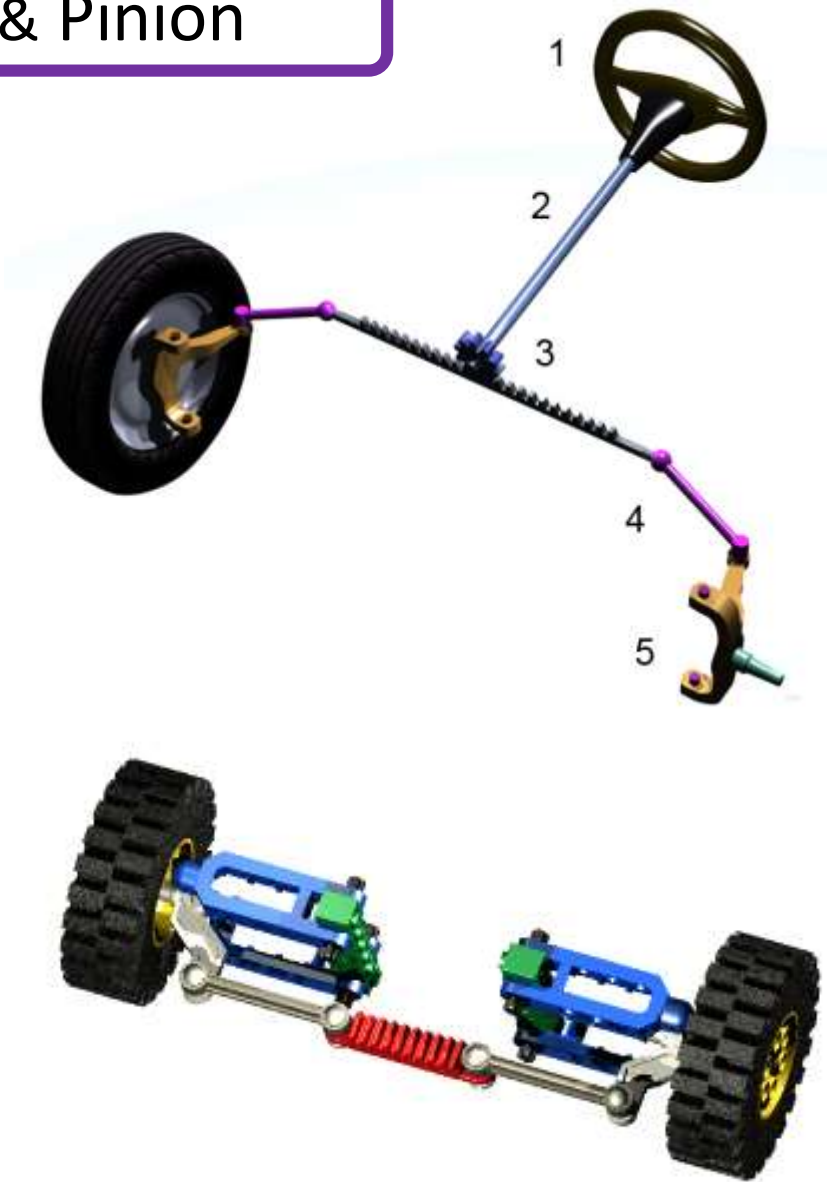
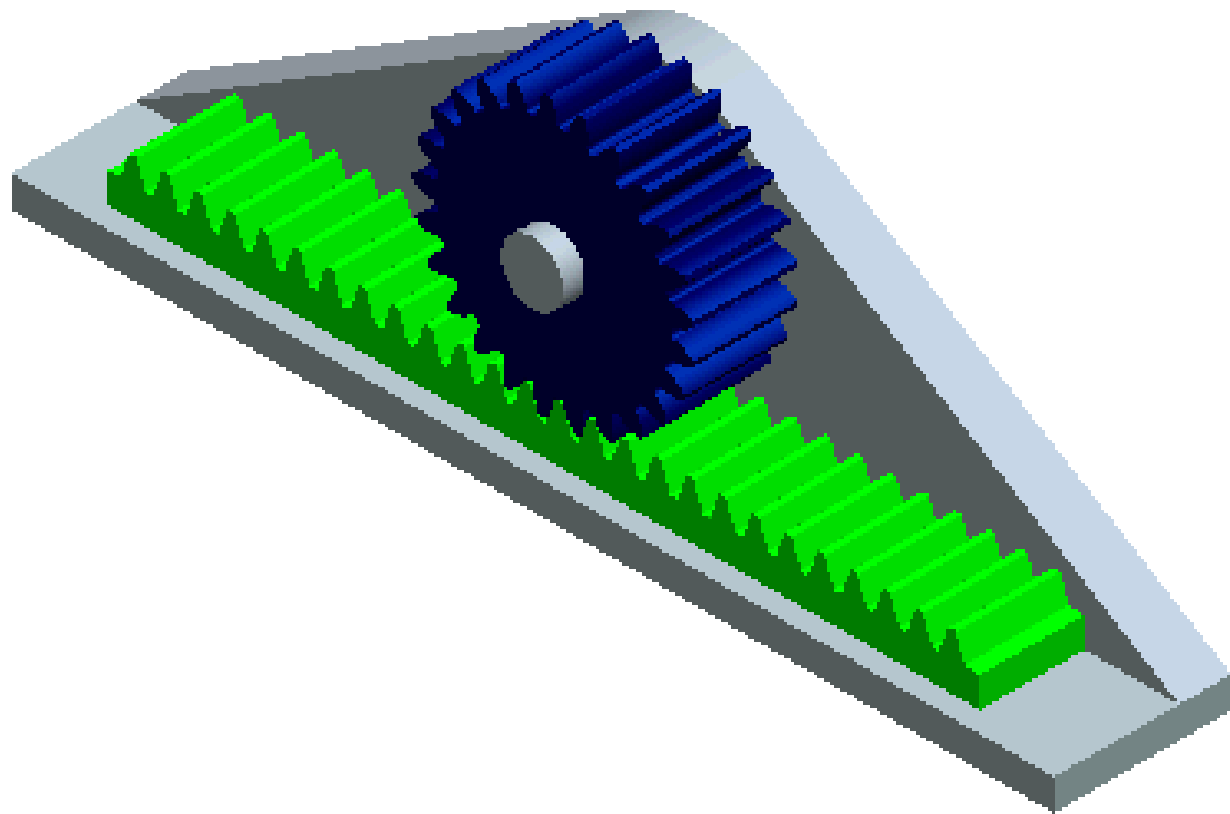
Motion Transmission Systems:

Worm Gear



Motion Transformation Systems:

Rack & Pinion



Motion Transformation Systems:

Screw Gear Systems

Screw & Nut



Motion Transformation Systems:

Screw Gear Systems

Screw & Nut



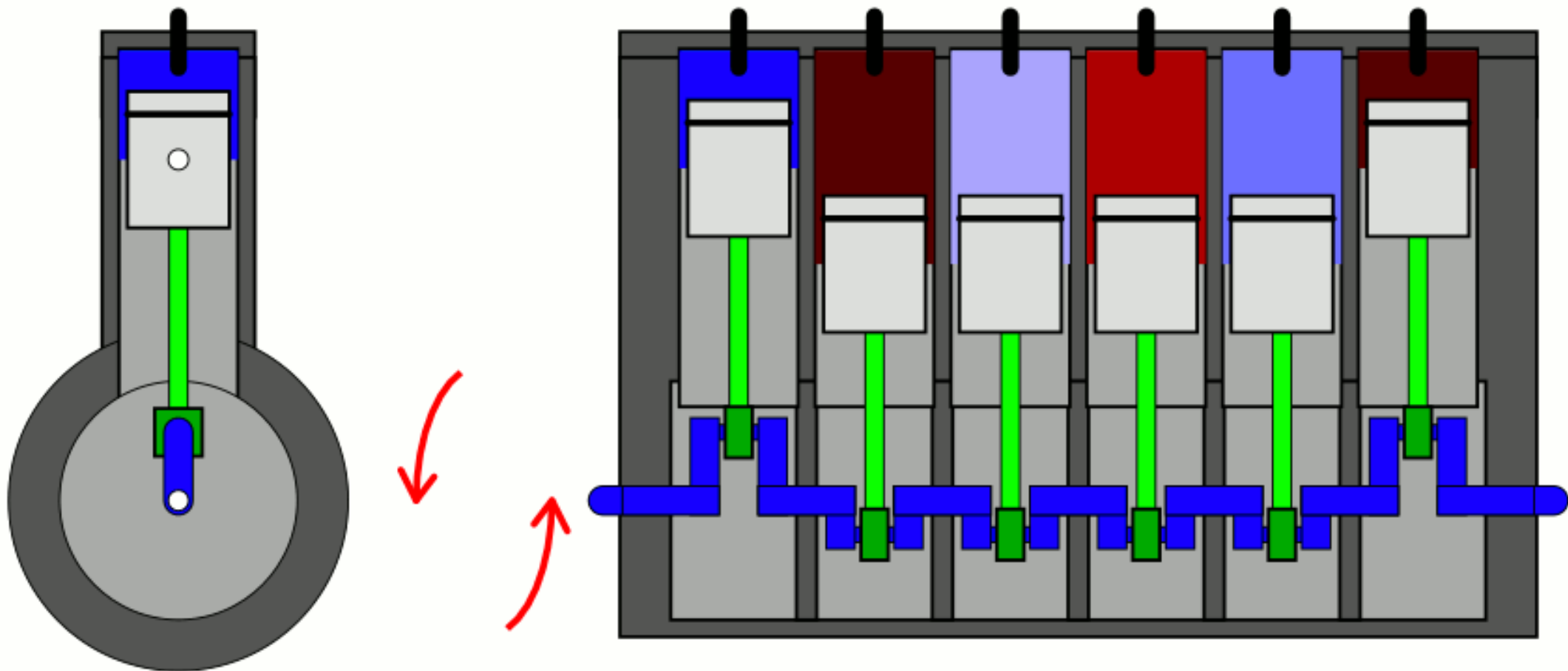
Motion Transformation Systems:

Screw & Rack



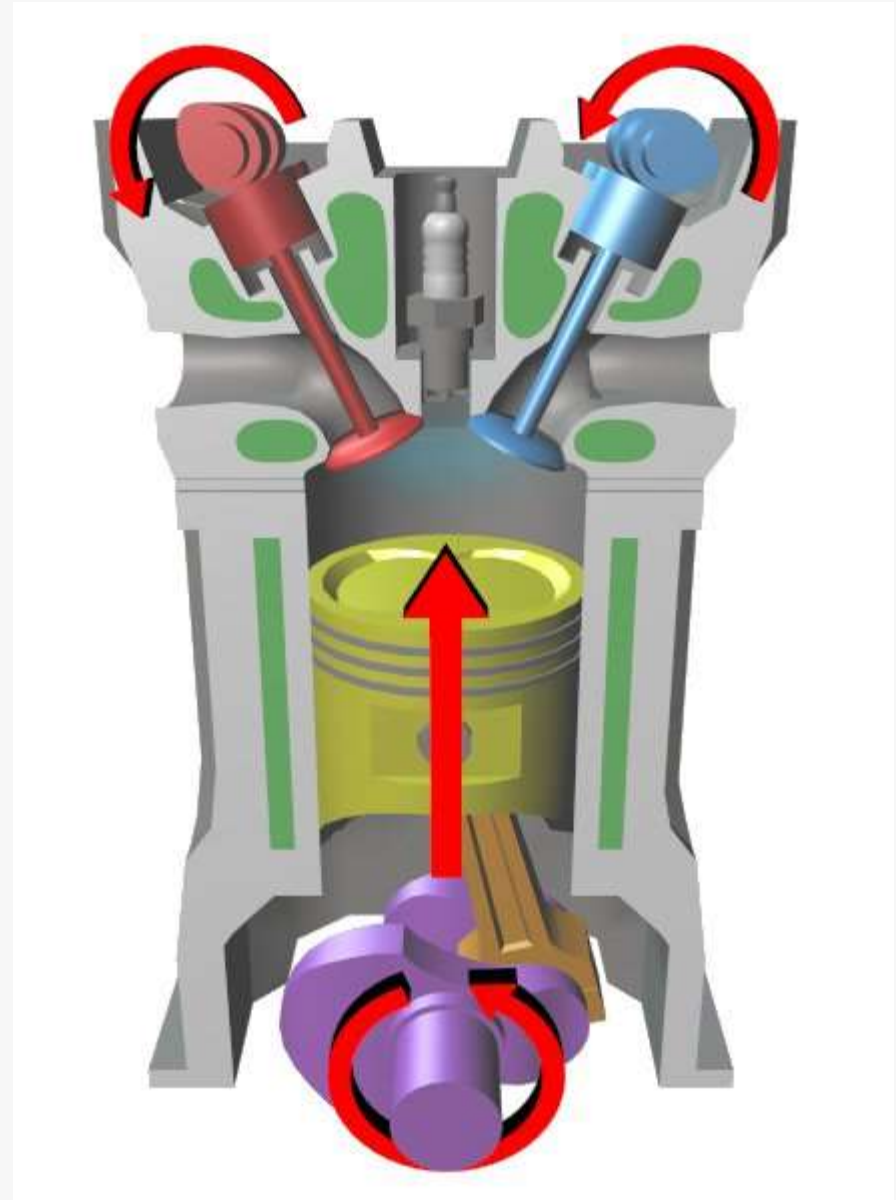
Motion Transformation Systems:

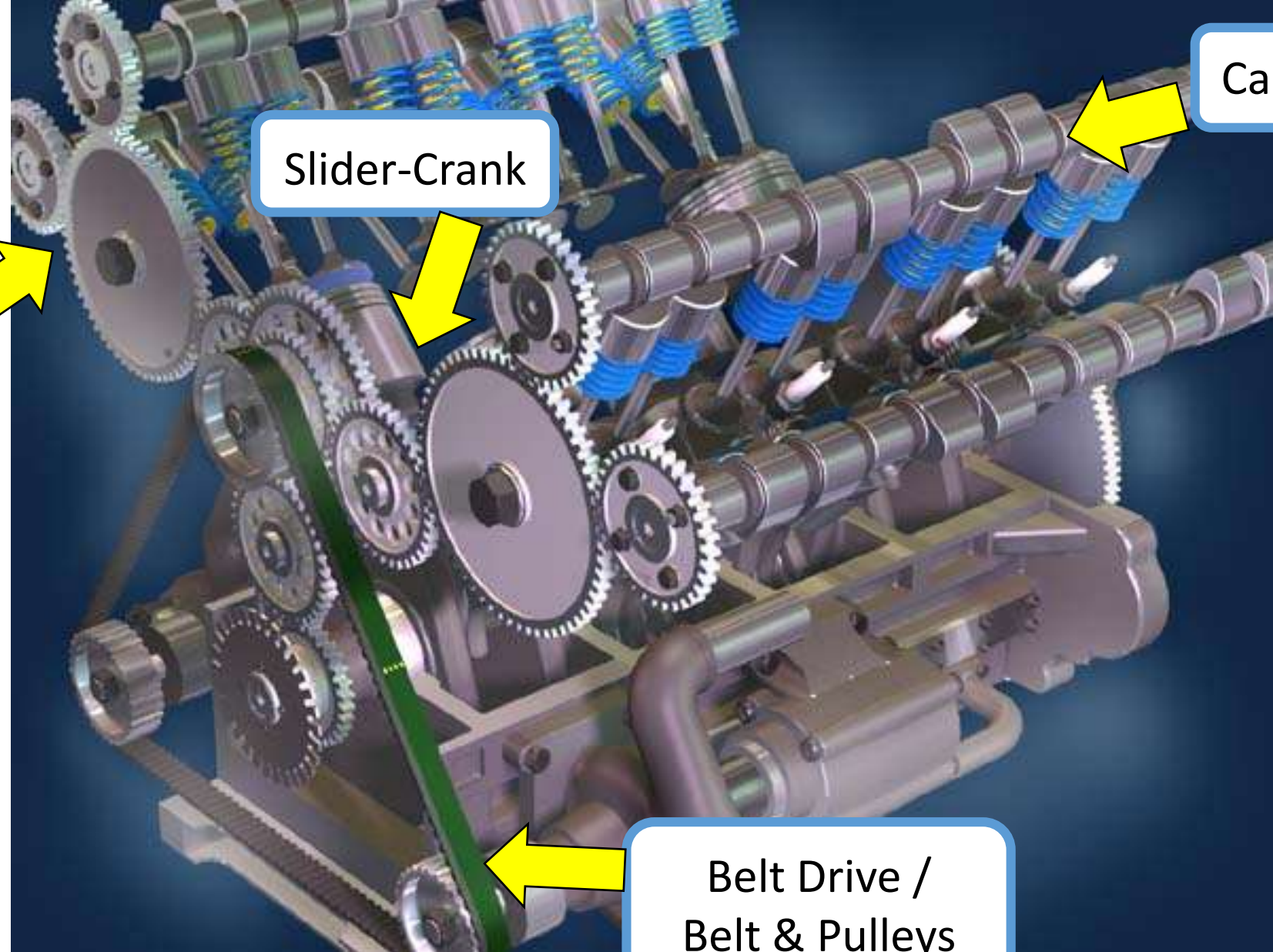
Slider-Crank mechanism



Motion Transformation Systems:

Cam & Follower





Gear Train

Slider-Crank

Cam & Follower

Belt Drive /  
Belt & Pulleys